



profine GmbH
KÖMMERLING KUNSTSTOFFE

P.O.Box 2165 - D-66929
Phone +49 6331 56-0 · Fax +49 6331 56-2475
Email: info@koemmerling.de
www.koemmerling.com

profine Uluslararası
PVC Sistemleri San.
ve Tic. Ltd. Sti.

Fatih Sultan Mehmet Cad.,
Universal Plaza No. 36/2
Kavacik Beykoz / Istanbul
Tel.: +90 216 680 26 26
Fax: +90 216 680 20 50
www.profine-group.com
www.profine.com.tr



KÖMMERLING Eurofine 70 CL

Window system with the latest technology.





INVESTMENT IN THE FUTURE

The only one window system in the world to protect natural resources.

As worldwide the energy consumption is increasing and raw materials are getting less, we should use the natural resources carefully.

KÖMMERLING always takes care to use natural resources in the best way. Therefore a new technology was introduced with the product systems, and profiles incorporating regenerate material has been produced.

KÖMMERLING Eurofine 70 CL is the first regenerate profile system. It is produced in 2.7 mm thickness, Class B and with 5 chambers.



U_f-Value
1.3
W/(m²K)

- strong insulation
- high sound insulation
- more security
- attractive design

New technical systems : KÖMMERLING Eurofine 70 CL.

Peace, security and comfort determine the value of your own four walls. Therefore you should look for your window selection increasing your living quality.

KÖMMERLING Eurofine 70 CL was developed and produced according to the latest standards.

KÖMMERLING Eurofine 70 CL comes up to the high expectations and significant demands from today's builders and offers many advantages to them.

KÖMMERLING Eurofine 70 CL ensures energy saving due to better insulation, plus excellent sound insulation. You will live in a comfortable, cosy atmosphere.

The thermal insulation is provided by the 5 chamber technology and the 70 mm profile depth.

Thanks to the rounded contours and curved corners your windows will achieve a modern and harmonious appearance.





WOULDN'T IT BE GREAT IF EVERYONE JOINED IN ?



KÖMMERLING Eurofine 70 CL. The green window.

As little as possible and as much as necessary is the best motto for sustainable environmental protection. This is the only way to conserve valuable natural resources.

KÖMMERLING Eurofine 70 CL is designed according to green principles. Optimum function and insulation values, plus the best possible use of materials, are the objectives that we have achieved with this new system generation.

KÖMMERLING Eurofine 70 CL is also made of a PVC-U that has the greenline label. In other words, no lead has been used to stabilise the PVC-U. Instead, an environmentally friendly calcium-zinc based stabiliser has been used.

And what happens at the end of its life cycle? Then the old window components are used to make new ones. Our recycling initiative facilitates a sustainable materials cycle.

greenline 

- Optimised and resource-saving use of materials.
- Green lead-free stabilisers with the greenline label.
- Reintroduction into the sustainable material cycle through professional recycling.
- Major contribution to CO₂ reduction – as a result of excellent heat insulation properties, you use less heating energy and considerably reduce your impact on the environment.





WHAT DO YOU NEED FOR A QUIET AND SAFE HOME ?

KÖMMERLING Eurofine 70 CL. The soundproof window.

How about considering new windows from the perspective of noise? This aspect is often neglected in window purchase decisions. Yet sound insulation is essential to your family's health because subjectively annoying noises are a permanent source of stress that can trigger a range of health problems.

KÖMMERLING Eurofine 70 CL protects you and your family from noise pollution. Its innovative profile sealing technology in conjunction with sound-insulating glazing ensures a peaceful and quiet living environment - even when you live close to a busy road.

- Application for effective sound insulating glass.
- Optimum sound insulation with innovative seals.



- For best resistance class.
- Designed for anti-burglary fittings.

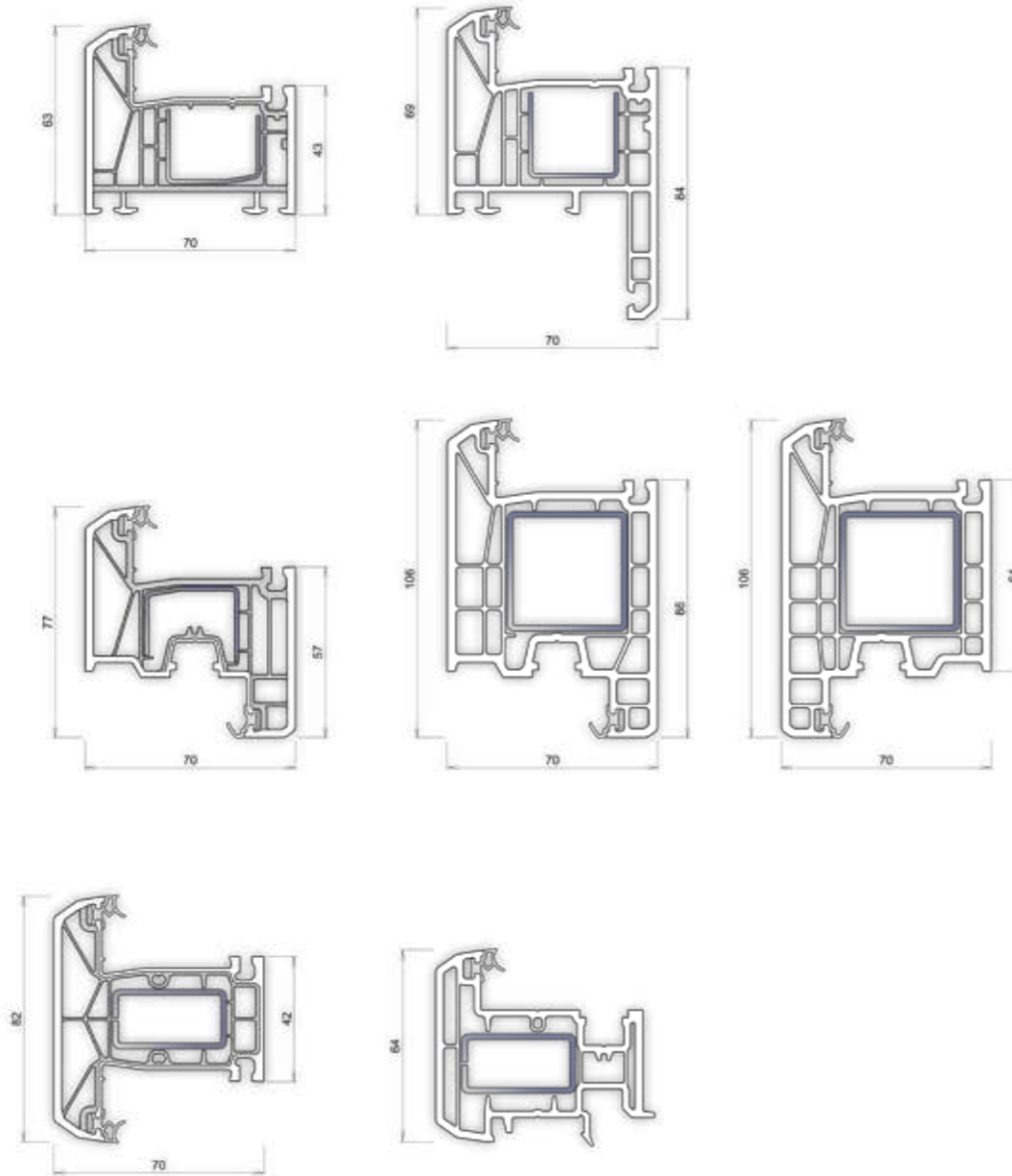
KÖMMERLING Eurofine 70 CL. The safety window.

Burglars often break into houses through windows, balconies and patio doors. KÖMMERLING Eurofine 70 CL offers you protection against intruders because the window is design-optimised for anti-burglary fittings and safety glass.

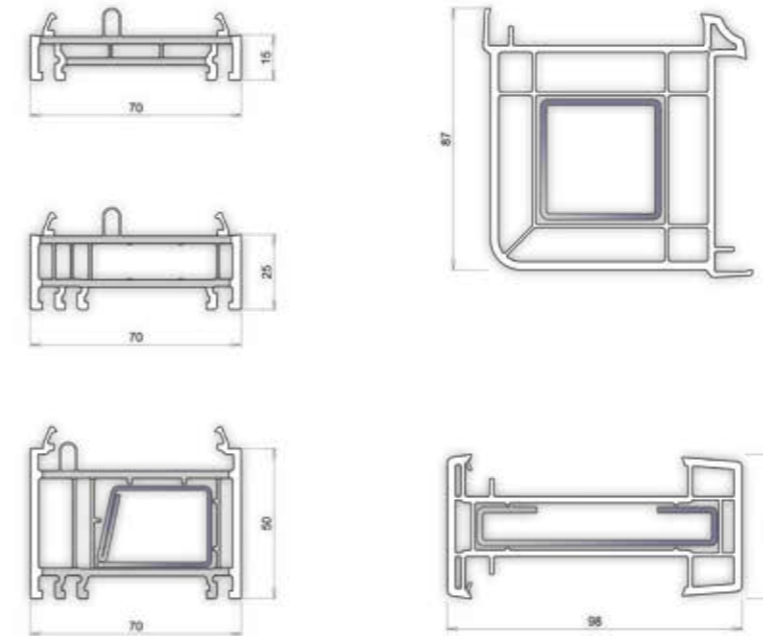
As a result, it is far more difficult for a burglar to break open the window or smash the glass. KÖMMERLING Eurofine 70 CL deters intruders and helps to keep your home safe.



MAIN PROFILES



ANCILLARY PROFILES



PROFILE COMBINATIONS

