



Kömmerring®
TODAY FOR TOMORROW



SIMPLE. FLEXIBLE. EFFICIENT.

PremiStep 20

EASY TO USE AND COMPATIBLE WITH ALL SYSTEMS

PremiStep 20 makes it possible!

Discover PremiStep 20 mm – the well-designed threshold insert for quick installation without any additional assembly work on site. This expands our range of thresholds for barrier-free transitions.

SIMPLE

- > simplified manufacturing
- > quick installation thanks to surrounding frame
- > optimized and easy-to-manufacture connection to the masonry connection

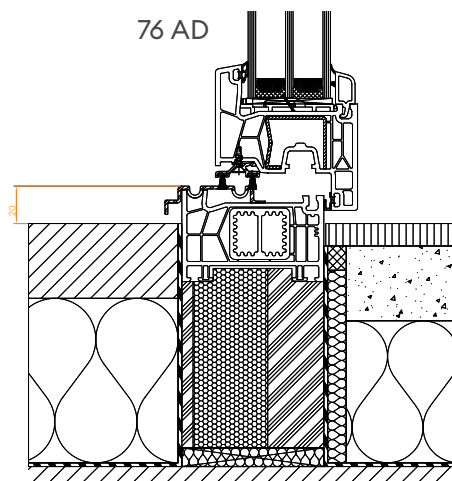
FLEXIBLE

- > independent of fittings
- > can be used for window systems 76 AD, 76 MD, and 88 MD
- > easy to use and seal all Kömmerling floor rebate and extension profiles

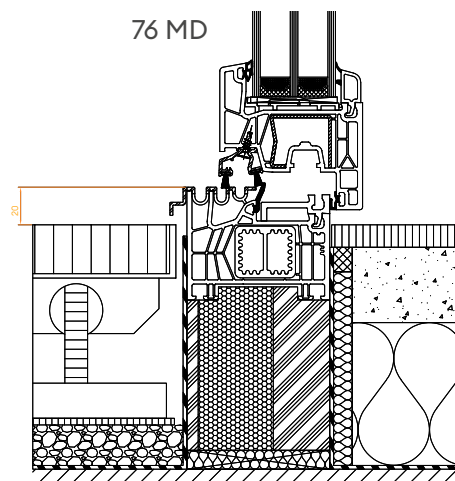
EFFICIENT

- > higher tightness and stability thanks to surrounding frame
- > no additional mechanical components
- > minimum height of 20 mm to the top edge of the finished floor or the water accumulation height
- > watertight

- > Simplification of manufacturing processes
- > Integration into the machining center possible
- > Higher degree of automation possible
- > Increased process reliability
- > Can also be used as a PremiStep 20 system, with floor recess, building connection, and on-site drainage.



System illustration: Connection to patio flooring



System illustration: Connection with facade gutter



#KömmerlingForTomorrow